

DIN /ISO  
EN 13000

| m           | 15,5*               | 15,5  | 20,5* | 20,5  | 25,5* | 25,5  | 30,5  | 35,5  | 40,5  | 45,5  | 50,5  | 55,5 | 60,0 | m           |
|-------------|---------------------|-------|-------|-------|-------|-------|-------|-------|-------|-------|-------|------|------|-------------|
|             | 700,0               |       |       |       |       |       |       |       |       |       |       |      |      |             |
| <b>3,0</b>  | 577,0 <sup>1)</sup> | 312,0 | 312,0 | 312,0 |       |       |       |       |       |       |       |      |      | <b>3,0</b>  |
| <b>3,5</b>  | 473,0 <sup>2)</sup> | 312,0 | 312,0 | 312,0 |       |       |       |       |       |       |       |      |      | <b>3,5</b>  |
| <b>4,0</b>  | 435,0 <sup>2)</sup> | 311,0 | 312,0 | 310,0 | 300,0 | 300,0 |       |       |       |       |       |      |      | <b>4,0</b>  |
| <b>4,5</b>  | 403,0 <sup>2)</sup> | 293,0 | 312,0 | 291,0 | 300,0 | 292,0 |       |       |       |       |       |      |      | <b>4,5</b>  |
| <b>5,0</b>  | 375,0 <sup>2)</sup> | 276,0 | 312,0 | 275,0 | 300,0 | 275,0 | 230,0 | 197,0 |       |       |       |      |      | <b>5,0</b>  |
| <b>6,0</b>  | 330,0 <sup>2)</sup> | 248,0 | 296,0 | 246,0 | 271,0 | 247,0 | 218,0 | 187,0 | 158,0 |       |       |      |      | <b>6,0</b>  |
| <b>7,0</b>  | 294,0               | 224,0 | 266,0 | 223,0 | 243,0 | 223,0 | 206,0 | 176,0 | 146,0 | 123,0 |       |      |      | <b>7,0</b>  |
| <b>8,0</b>  | 264,0               | 205,0 | 240,0 | 203,0 | 220,0 | 204,0 | 195,0 | 166,0 | 135,0 | 116,0 |       |      |      | <b>8,0</b>  |
| <b>9,0</b>  | 236,0               | 188,0 | 219,0 | 186,0 | 200,0 | 187,0 | 183,0 | 156,0 | 125,0 | 110,0 | 102,0 |      |      | <b>9,0</b>  |
| <b>10,0</b> | 212,0               | 174,0 | 201,0 | 172,0 | 183,0 | 173,0 | 172,0 | 146,0 | 116,0 | 104,0 | 96,0  | 83,5 |      | <b>10,0</b> |
| <b>12,0</b> | 171,0               | 150,0 | 172,0 | 149,0 | 156,0 | 149,0 | 150,0 | 128,0 | 101,0 | 92,5  | 86,0  | 74,5 | 65,0 | <b>12,0</b> |
| <b>14,0</b> |                     |       | 146,0 | 130,0 | 137,0 | 131,0 | 131,0 | 115,0 | 89,5  | 82,5  | 76,5  | 67,5 | 59,0 | <b>14,0</b> |
| <b>16,0</b> |                     |       | 126,0 | 116,0 | 121,0 | 116,0 | 115,0 | 104,0 | 79,5  | 74,0  | 69,0  | 61,5 | 54,5 | <b>16,0</b> |
| <b>18,0</b> |                     |       | 93,5  | 93,5  | 109,0 | 104,0 | 102,0 | 96,0  | 71,0  | 66,5  | 62,0  | 56,5 | 50,0 | <b>18,0</b> |
| <b>20,0</b> |                     |       |       |       | 98,5  | 92,0  | 92,0  | 88,0  | 64,0  | 60,0  | 56,5  | 52,5 | 46,5 | <b>20,0</b> |
| <b>22,0</b> |                     |       |       |       | 81,0  | 81,0  | 83,5  | 80,5  | 58,0  | 54,5  | 51,5  | 48,5 | 43,0 | <b>22,0</b> |
| <b>24,0</b> |                     |       |       |       |       |       | 75,0  | 74,0  | 52,5  | 49,5  | 47,5  | 45,0 | 40,0 | <b>24,0</b> |
| <b>26,0</b> |                     |       |       |       |       |       | 68,0  | 68,0  | 48,0  | 45,5  | 44,0  | 42,0 | 37,5 | <b>26,0</b> |
| <b>28,0</b> |                     |       |       |       |       |       |       | 62,5  | 44,5  | 41,5  | 40,5  | 39,0 | 35,0 | <b>28,0</b> |
| <b>30,0</b> |                     |       |       |       |       |       |       | 56,0  | 41,0  | 38,5  | 37,5  | 36,5 | 32,5 | <b>30,0</b> |
| <b>32,0</b> |                     |       |       |       |       |       |       | 50,0  | 38,5  | 36,0  | 35,0  | 34,0 | 30,5 | <b>32,0</b> |
| <b>34,0</b> |                     |       |       |       |       |       |       |       | 35,5  | 33,5  | 32,5  | 31,5 | 28,8 | <b>34,0</b> |
| <b>36,0</b> |                     |       |       |       |       |       |       |       | 33,5  | 31,0  | 30,0  | 29,8 | 27,0 | <b>36,0</b> |
| <b>38,0</b> |                     |       |       |       |       |       |       |       |       | 27,6  | 28,3  | 28,0 | 25,3 | <b>38,0</b> |
| <b>40,0</b> |                     |       |       |       |       |       |       |       |       | 25,9  | 26,5  | 26,3 | 23,8 | <b>40,0</b> |
| <b>42,0</b> |                     |       |       |       |       |       |       |       |       |       | 24,8  | 24,8 | 22,5 | <b>42,0</b> |
| <b>44,0</b> |                     |       |       |       |       |       |       |       |       |       | 23,4  | 23,4 | 21,2 | <b>44,0</b> |
| <b>46,0</b> |                     |       |       |       |       |       |       |       |       |       | 22,1  | 22,1 | 20,0 | <b>46,0</b> |
| <b>48,0</b> |                     |       |       |       |       |       |       |       |       |       |       | 20,9 | 19,0 | <b>48,0</b> |
| <b>50,0</b> |                     |       |       |       |       |       |       |       |       |       |       | 19,7 | 18,0 | <b>50,0</b> |
| <b>54,0</b> |                     |       |       |       |       |       |       |       |       |       |       |      | 16,2 | <b>54,0</b> |

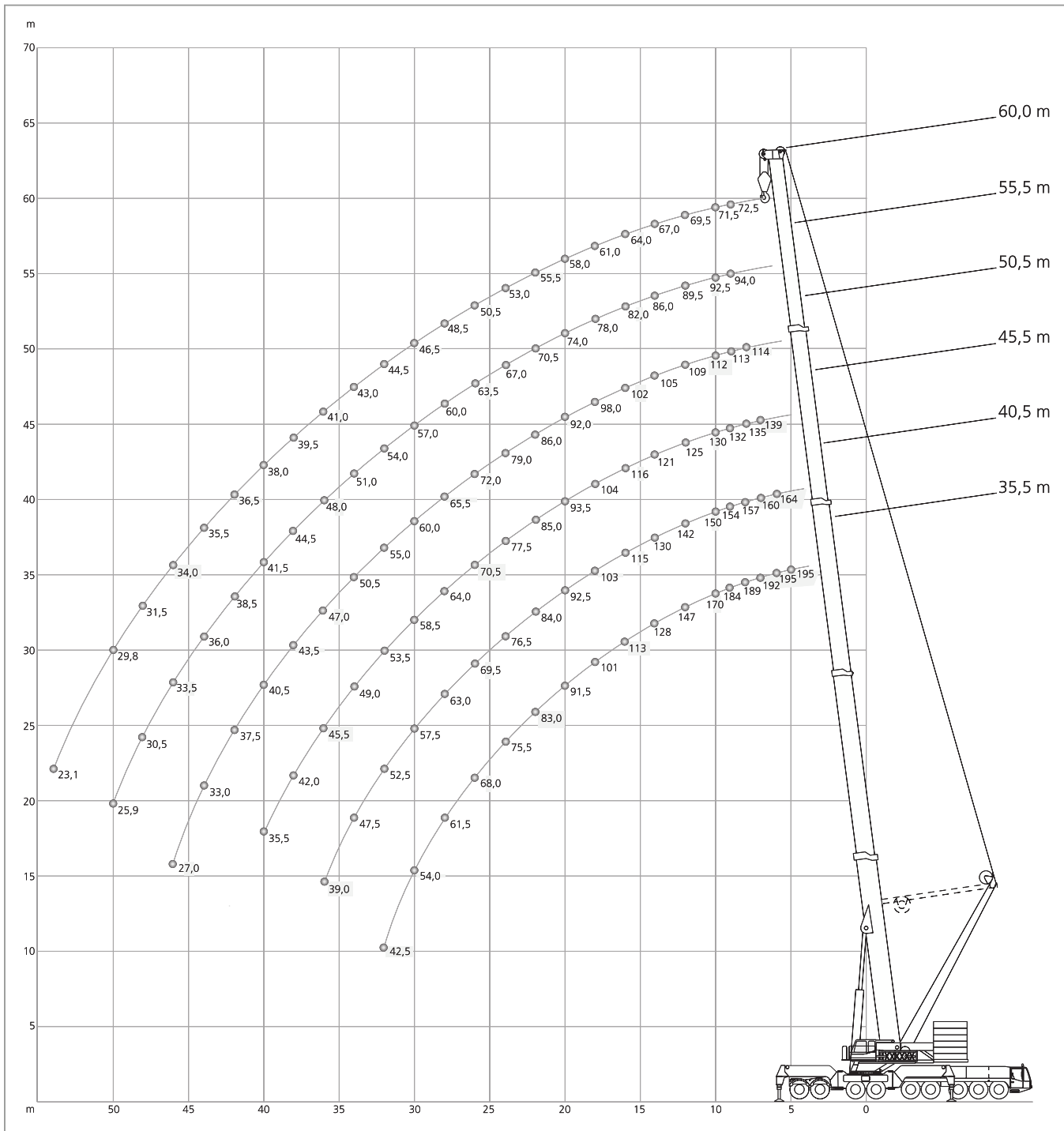
\* Zentralabstützung + 160 t Gegengewicht

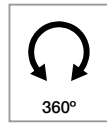
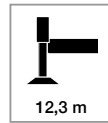
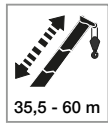
1) nach hinten, Hauptausleger mit Sonderausrüstung



Hinweis

Gewicht für Hakenflasche und Anschlagmittel müssen zur Last addiert werden und werden bei Bedarf einsatzspezifisch genannt.





DIN /ISO  
EN 13000

| m           | 35,5  | 40,5  | 45,5  | 50,5  | 55,5 | 60,0 | m           |
|-------------|-------|-------|-------|-------|------|------|-------------|
| <b>5,0</b>  | 195,0 |       |       |       |      |      | <b>5,0</b>  |
| <b>6,0</b>  | 195,0 | 164,0 |       |       |      |      | <b>6,0</b>  |
| <b>7,0</b>  | 192,0 | 160,0 | 139,0 |       |      |      | <b>7,0</b>  |
| <b>8,0</b>  | 189,0 | 157,0 | 135,0 | 114,0 |      |      | <b>8,0</b>  |
| <b>9,0</b>  | 184,0 | 154,0 | 132,0 | 113,0 | 94,0 | 72,5 | <b>9,0</b>  |
| <b>10,0</b> | 170,0 | 150,0 | 130,0 | 112,0 | 92,5 | 71,5 | <b>10,0</b> |
| <b>12,0</b> | 147,0 | 142,0 | 125,0 | 109,0 | 89,5 | 69,5 | <b>12,0</b> |
| <b>14,0</b> | 128,0 | 130,0 | 121,0 | 105,0 | 86,0 | 67,0 | <b>14,0</b> |
| <b>16,0</b> | 113,0 | 115,0 | 116,0 | 102,0 | 82,0 | 64,0 | <b>16,0</b> |
| <b>18,0</b> | 101,0 | 103,0 | 104,0 | 98,0  | 78,0 | 61,0 | <b>18,0</b> |
| <b>20,0</b> | 91,5  | 92,5  | 93,5  | 92,0  | 74,0 | 58,0 | <b>20,0</b> |
| <b>22,0</b> | 83,0  | 84,0  | 85,0  | 86,0  | 70,5 | 55,5 | <b>22,0</b> |
| <b>24,0</b> | 75,5  | 76,5  | 77,5  | 79,0  | 67,0 | 53,0 | <b>24,0</b> |
| <b>26,0</b> | 68,0  | 69,5  | 70,5  | 72,0  | 63,5 | 50,5 | <b>26,0</b> |
| <b>28,0</b> | 61,5  | 63,0  | 64,0  | 65,5  | 60,0 | 48,5 | <b>28,0</b> |
| <b>30,0</b> | 54,0  | 57,5  | 58,5  | 60,0  | 57,0 | 46,5 | <b>30,0</b> |
| <b>32,0</b> | 42,5  | 52,5  | 53,5  | 55,0  | 54,0 | 44,5 | <b>32,0</b> |
| <b>34,0</b> |       | 47,5  | 49,0  | 50,5  | 51,0 | 43,0 | <b>34,0</b> |
| <b>36,0</b> |       | 39,0  | 45,5  | 47,0  | 48,0 | 41,0 | <b>36,0</b> |
| <b>38,0</b> |       |       | 42,0  | 43,5  | 44,5 | 39,5 | <b>38,0</b> |
| <b>40,0</b> |       |       | 35,5  | 40,5  | 41,5 | 38,0 | <b>40,0</b> |
| <b>42,0</b> |       |       |       | 37,5  | 38,5 | 36,5 | <b>42,0</b> |
| <b>44,0</b> |       |       |       | 33,0  | 36,0 | 35,5 | <b>44,0</b> |
| <b>46,0</b> |       |       |       | 27,0  | 33,5 | 34,0 | <b>46,0</b> |
| <b>48,0</b> |       |       |       |       | 30,5 | 31,5 | <b>48,0</b> |
| <b>50,0</b> |       |       |       |       | 25,9 | 29,8 | <b>50,0</b> |
| <b>54,0</b> |       |       |       |       |      | 23,1 | <b>54,0</b> |



Gewicht für Hakenflasche und Anschlagmittel müssen zur Last addiert werden und werden bei Bedarf einsatzspezifisch genannt.

Zusätzlich zu den aufgeführten Krankonfigurationen kann je nach Bedarf der Kran mit folgender Zusatzausrüstung ausgestattet werden:

- ▶ Schwerlastausrüstung
- ▶ Wippbare Auslegerverlängerung bis 96 m Länge
- ▶ Feste Auslegerverlängerung bis 50 m Länge, verstellbar unter 0°, 20°, 40°
- ▶ Zusatzballast erforderlich, dieser wird separat transportiert

Sollten Sie die oben genannten Krankonfigurationen benötigen, steht Ihnen unser qualifiziertes Fachpersonal jederzeit gerne beratend zur Seite